



- Industrial suspension system for control enclosures
- Modular construction with free accessible cable duct
- Wall, top-mounting or floor fixing

Technical data

Material:

connecting tube: DIN EN 573 EN AW-AlMgSi

components: DIN EN 1706 EN AC-AlSi12 (Fe)

cover profile: TPE

Seal:

CR and/or PU foam

Painting:

powder coating

Colour:

aluminium parts: RAL 7035, light grey

cover profile: RAL 9005, jet black

Ingress protection:

IP 54 to EN 60529

Free cable passage:

connecting tube 18 mm opening










system components: 53 mm

Included in delivery:

Individual system components incl. cable duct covering and assembly materials

GTK electronic

Product range

		Order No.	Weight (kg)
Top-mounted joint		49.45 66 00	2.35
Foot stand		49.45 72 00	0.65
Wall hinge W		49.45 70 00	3.25
Angle		49.45 71 00	0.72
Coupling		49.45 73 00	1.1
Flange coupling		49.45 77 00	1.3
Angle coupling		49.45 75 00	1.1
Angle flange coupling		49.45 78 00	1.33
Spare 2.5 m cover profile		49.45 69 00	0.35
Flat panel adapter (see page 94)		49.45 90 01	1.4

Aluminium profile

	Order No.	Weight (kg)
Connecting tube		
Standard length: 0.5 m	49.45 10 01	1.6
Standard length: 1 m	49.45 10 02	3.25
Standard length: 2 m*	49.45 10 03	6.5
Variable length (please specify)	49.45 10 00	

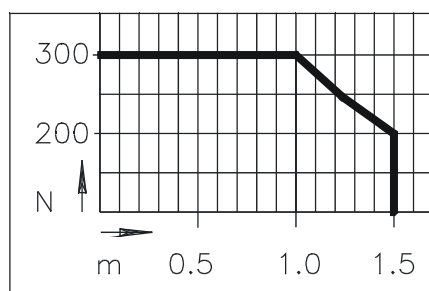
* without threaded hole

Can be adapted to elements from the GT 48/2 range*

	Order No.	Weight (kg)
Console flange 30°	49.49 76 00	4.0
Adapter flange	49.49 79 00	4.0
Inclination adapter	49.49 80 00	0.8

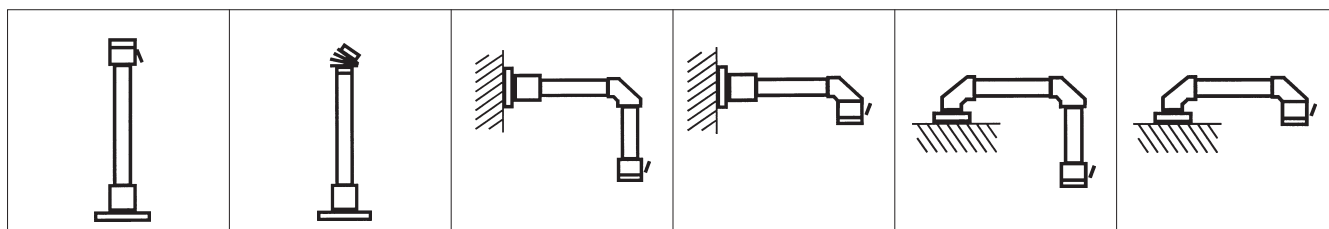
* Special colour RAL 7035, please specify when ordering.

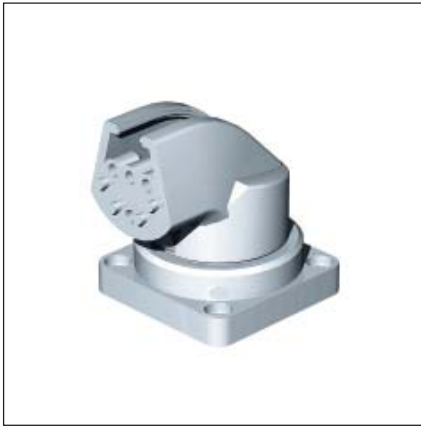
Load diagram



Note: the vertical length of the profile is responsible for the load of the complete suspension system (lever arm!). Further information for this on request. The values in the above load diagram are guilty to an execution hanging or standing. The declarations of weight are a summary from installation weight, COMMANDER and all components and tubes between COMMANDER and angle.

Added system elements

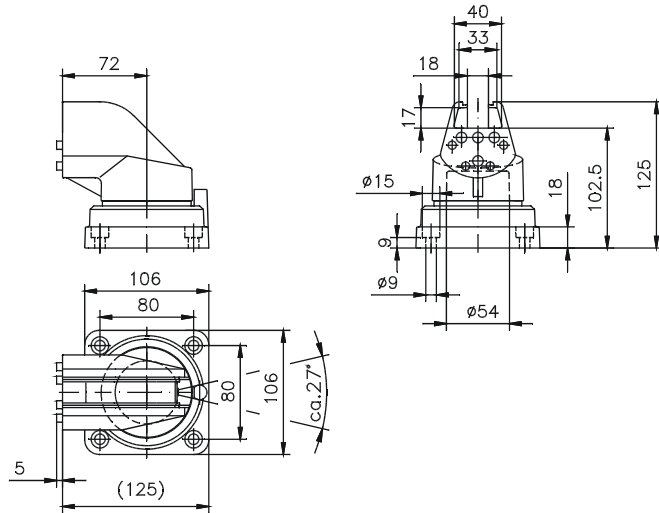




Top-mounted joint

Cast aluminium with steel inner tube and flange mounting.
Swivelling range 330° (cannot be limited or stopped)

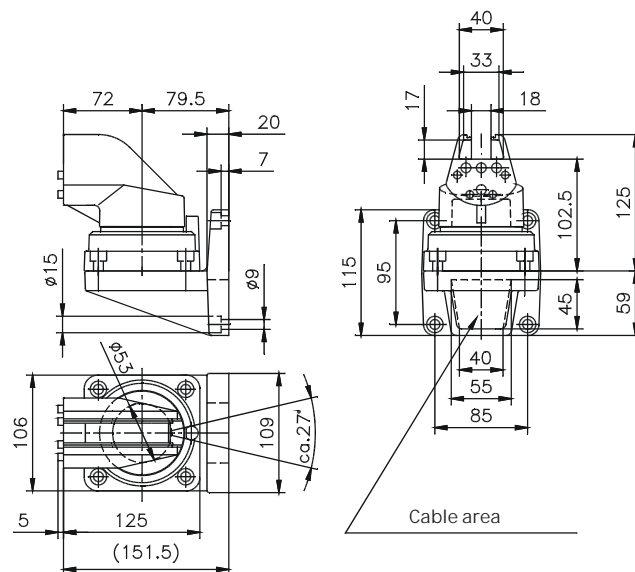
Order No. 49.45 66 00



Wall hinge

Cast aluminium with steel inner tube and plain bearing
Swivelling range 330° (cannot be limited or stopped)

Order No. 49.45 70 00

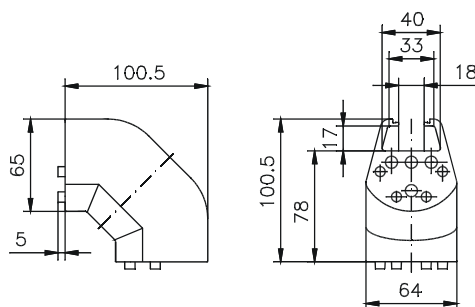




Angle

Cast aluminium, angle 90°, for GT system, can be used from above

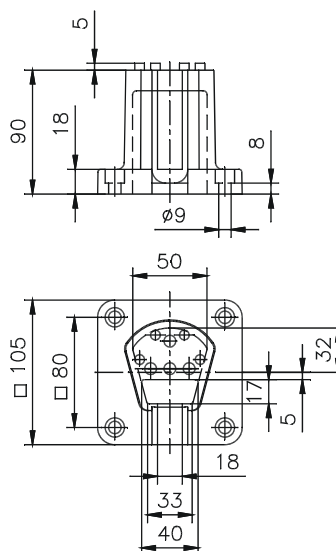
Order No. 49.45 71 00



Foot stand

Cast aluminium, fixed version

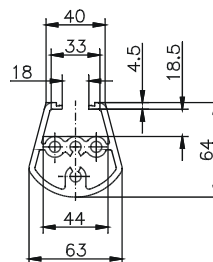
Order No. 49.45 72 00



Connecting tube

Aluminium extruded profile each with 2.5 m long plastic cover profile.

Order No.	Length	Weight (kg)
49.45 10 01	0.5	1.6
49.45 10 02	1	3.25
49.45 10 03	2	6.5

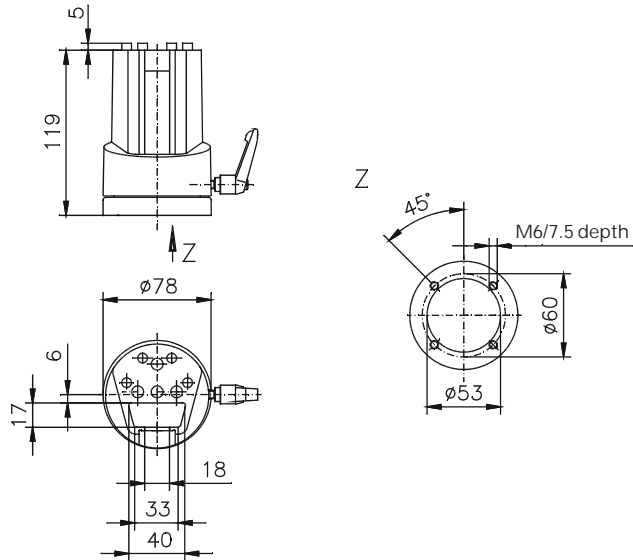




Coupling

Cast aluminium with steel inner tube. Coupling assembled from inside of enclosure, connection not visible from the outside.
Swivelling range 290° can be stopped at any point via clamping lever (swivelling range cannot be limited)

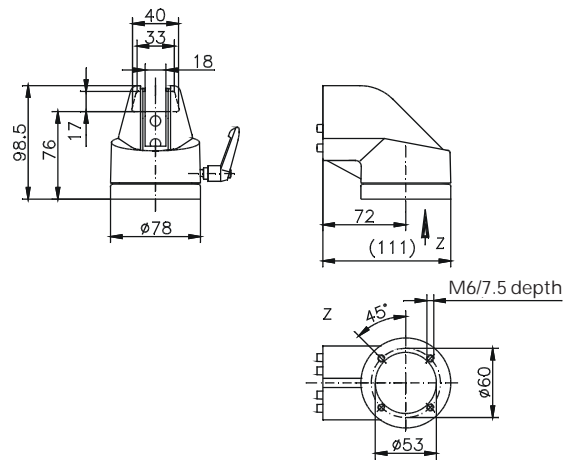
Order No. 49.45 73 00



Angle coupling

Combination of angle and coupling for horizontal tube exit. Cast aluminium with steel inner tube. Coupling assembled from inside of enclosure, connection not visible from the outside.
Swivelling range 290° can be stopped at any point via clamping lever (swivelling range cannot be limited)

Order No. 49.45 75 00

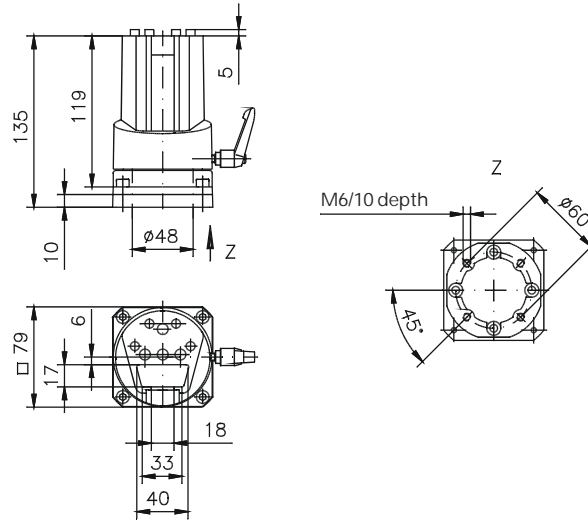




Flange coupling

Cast aluminium with steel inner tube. Coupling assembled from outside with flange, connection visible from the outside. Swivelling range 290° can be stopped at any point via clamping lever (swivelling range cannot be limited)

Order No. 49.45 77 00



Angle flange coupling

Combination of angle and coupling for horizontal tube exit. Cast aluminium with steel inner tube. Coupling assembled from outside with flange, connection visible from the outside. Swivelling range 290° can be stopped at any point via clamping lever (swivelling range cannot be limited)

Order No. 49.45 78 00

