



Further international Ex-Approvals on request



Technical Data

Explosion protection:

II 2 G / 2 D

EEx e II T6 (increased safety)

EEx ia IIC T6 (intrinsic safety)

EEx e(ia) IIC T6 (mixed fitting)

Temperature class T5 on request

Certificates:

Empty enclosure: PTB 01 ATEX 1061U

Terminal enclosure: PTB 00 ATEX 1002

Material:

Glassfibre-reinforced duroplastic polyester, graphite added

Colour:

similar to RAL 9011, black

Ingress protection:

IP 66, EN 60529

Impact resistance:

>7 Joule, EN 50014

Flammability:

self-extinguishing, UL 94/V0

Surface resistance:

<10⁹ Ohm, EN 50014 / IEC 60079-0

Water absorption:

max. 0.7 %, ASTM D570

Toxicity:

halogenfree

Weather resistance:

UV-stabilized

Temperature range of application acc. EN:

-20° to +40°C

(corresponds T6 = 85°C surface temperature)

-20° to +55°C

(corresponds T5 = 100°C surface temperature)

-55°C with special marking on request

- Empty enclosure with certification for individual fittings
- Terminal enclosure for increased safeguards intrinsic safety
- Quick lock lid system
- Possibility to combine to other Polyester flange enclosures
- Optional: lid with window

Included in delivery

Empty enclosure:

Enclosure with flanges and silicone seal (lid), polyurethane flange seal

Terminal enclosure:

Enclosure system - depending on version either with silicone seal, continuity plate, DIN rails, internal earthing connection, terminals, manufacturing, cable glands

Polyester Flange Ex

Programme range

Type			Dimensions
Ex-e	Ex-ia	Leergehäuse	W x L x H (mm)
06.14 01 00	16.14 01 00	26.14 01 00	170 x 270 x 135
06.14 02 00	16.14 02 00	26.14 02 00	270 x 270 x 135
06.14 03 00	16.14 03 00	26.14 03 00	270 x 540 x 135

Accessories

Type	DIN rail* TS35	PE bar	External mounting bracket	Continuity plate brass	Internal hinge	Mounting plate
06/16/26.14 01 00	•	•	•	•	•	•
06/16/26.14 02 00	•	•	•	•	•	•
06/16/26.14 03 00	•	•	•	•	•	•

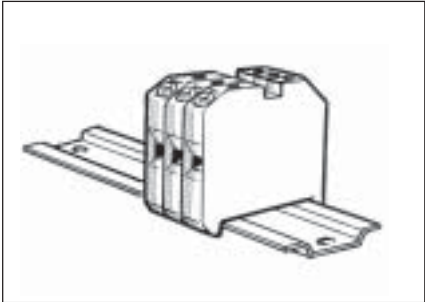
* TS 32 on request

External mounting brackets (4 pieces)	10.03 11 02
Internal hinges (pair) from xx.12 12 09	14.00 00 26
Threaded inserts (10 pieces)	10.03 50 02
Blind flange incl. fastening wedges	06.14 00 20
Connecting flange incl. fastening wedges	06.14 00 25
Brass continuity plate for blind flange	10.01 60 01
Mounting plate for xx.14 01 00	14.00 00 11
Mounting plate for xx.14 02 00	14.00 00 12
Mounting plate for xx.14 03 00	14.00 00 13

Accessories / Version

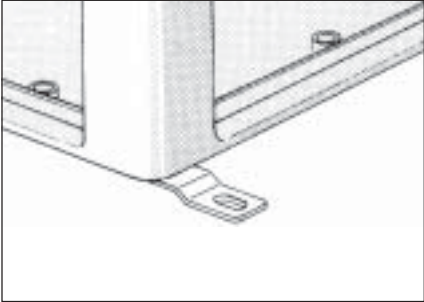


PE bar

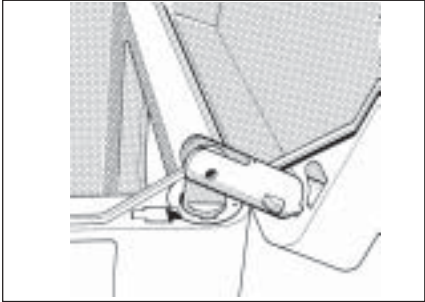


PE terminal blocks

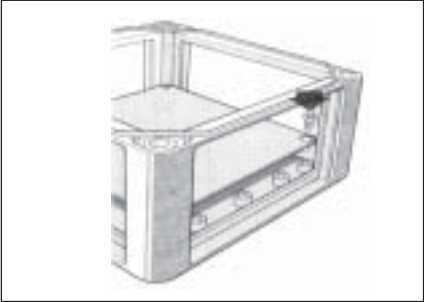
Accessories



External mounting brackets



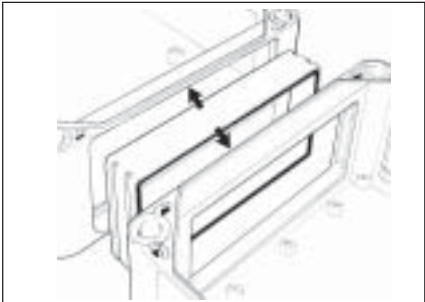
Internal hinges (pair)



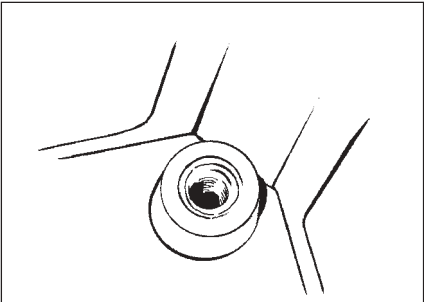
Mounting plate in laminated paper



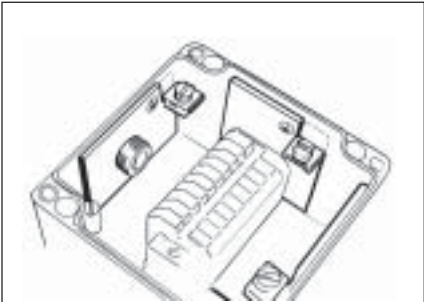
Blind flange



Connecting flange



Threaded inserts



Continuity plate, brass, for blind flange

Type: **E Ex e 06.14 01 00**

E Ex ia 16.14 01 00

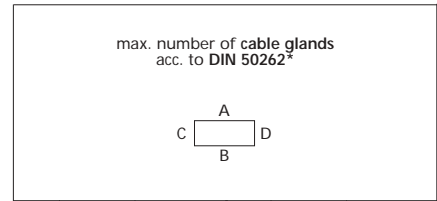
Ex empty enclosure **26.14 01 00**

Certification **ATEX**

External dimensions **170 x 270 x 135 mm**

Weight **1690 g**

DIN rail length in mm	max. fitting length in mm	PE bar max. number	Internal hinges	Connecting flange	External mounting brackets	Continuity plate, brass	Threaded inserts	Mounting plate in laminated paper	Number/ flange per side
TS 35		20 x 6 mm ²							A / B C / D
255	220	1	•	•	•	•	•	•	1



Diameter of connection (mm ²)	1,5	2,5	4	6	10	16	25	35	50	70	95
max. number of terminals**	50	40	34	25	20	17	13	13			
max. number of DIN rails	1	1	1	1	1	1	1	1			
Number of internal cables in dependence to current/A	6										
	10	66									
	16	22	44	171							
	20	9	25	49							
	25		12	28	54						
	35			8	21	53					
	50				3	17	43				
	63					5	20	72			
	80						7	22	80		
	100							9	21		
	125								8		
	160										
	200										
	225										
	250										
315											
400											
500											

M	Cross-corner dim.	Side		PG	Cross-corner dim.	Side	
		A/B	C/D			A/B	C/D
12	17,25	63	33	7	17,25	63	33
16	25,30	28	16	9	21,85	38	20
20	27,60	22	12	11	25,30	28	14
25	37,95	12	6	13,5	27,60	22	12
32	48,30	8	4	16	31,05	18	9
40	60,95	3	2	21	37,95	11	6
50	69,00	3	1	29	48,30	8	4
63	74,75	2	1	36	60,95	3	2
				42	69,00	3	1
				48	74,75	2	1

Number or internal cables/2 = number of terminals
 * not for armoured cables
 ** Base: Terminal block Phoenix Contact, further see page 68

Type: **E Ex e 06.14 02 00 8**

E Ex ia 16.14 02 00 8

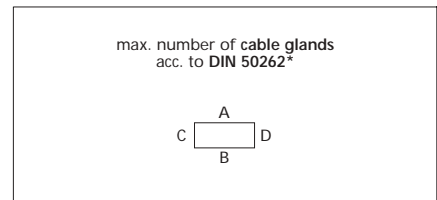
Ex empty enclosure **26.14 02 00 0**

Certification **ATEX**

External dimensions **270 x 270 x 135 mm**

Weight **1900 g**

DIN rail length in mm	max. fitting length in mm	PE bar max. number	Internal hinges	Connecting flange	External mounting brackets	Continuity plate, brass	Threaded inserts	Mounting plate in laminated paper	Number/ flange per side
TS 35		20 x 6 mm ²							A / B C / D
215	190	2	•	•	•	•	•	•	1 1



Diameter of connection (mm ²)	1,5	2,5	4	6	10	16	25	35	50	70	95
max. number of terminals**	80	66	54	42	32	22	22	22			
max. number of DIN rails	2	2	2	2	2	2	2	2			
Number of internal cables in dependence to current/A	6										
	10	77									
	16	26	51	198							
	20	11	30	57							
	25		14	32	63						
	35			9	24	61					
	50				3	20	50				
	63					6	23	83			
	80						9	26	93		
	100							11	24		
	125								10		
	160										
	200										
	225										
	250										
315											
400											
500											

M	Cross-corner dim.	Side		PG	Cross-corner dim.	Side	
		A/B	C/D			A/B	C/D
12	17,25	63	63	7	17,25	63	63
16	25,30	28	28	9	21,85	38	38
20	27,60	22	22	11	25,30	28	28
25	37,95	12	12	13,5	27,60	22	22
32	48,30	8	8	16	31,05	18	18
40	60,95	3	3	21	37,95	11	11
50	69,00	3	3	29	48,30	8	8
63	74,75	2	2	36	60,95	3	3
				42	69,00	3	3
				48	74,75	2	2

Number or internal cables/2 = number of terminals
 * not for armoured cables
 ** Base: Terminal block Phoenix Contact, further see page 68

Certification **ATEX**

External dimensions **270 x 540 x 135 mm**

Weight **3350 g**

DIN rail length in mm	max. fitting length in mm	PE bar max. number	Internal hinges	Connecting flange	External mounting brackets	Continuity plate, brass	Threaded inserts	Mounting plate in laminated paper	Number / flange per side	
TS 32/35		20 x 6 mm ²							A / B	C / D
485	460	2	•	•	•	•	•	•	2	1

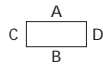
Diameter of connection (mm ²)	1,5	2,5	4	6	10	16	25	35	50	70	95	120	150	185	240	
max. number of terminals**	210	168	142	108	86	72	58	58	44	36						
max. number of DIN rails	2	2	2	2	2	2	2	2	2	2						
Number of internal cables in dependence to current/A	6															
	10	85														
	16	29	56	220												
	20	12	33	64												
	25		15	36	69											
	35			10	27	67										
	50				4	22	56									
	63					7	26	92								
	80						10	29	103							
	100							12	27							
	125								11	27						
	160									9	24					
	200										8	21	65			
	225											3	12	25		
	250												6	15	32	
	315													3	9	19
400															4	13
500																

Number of internal cables/2 = number of terminals

* not for armoured cables

** Base: Terminal block Phoenix Contact, further see page 68

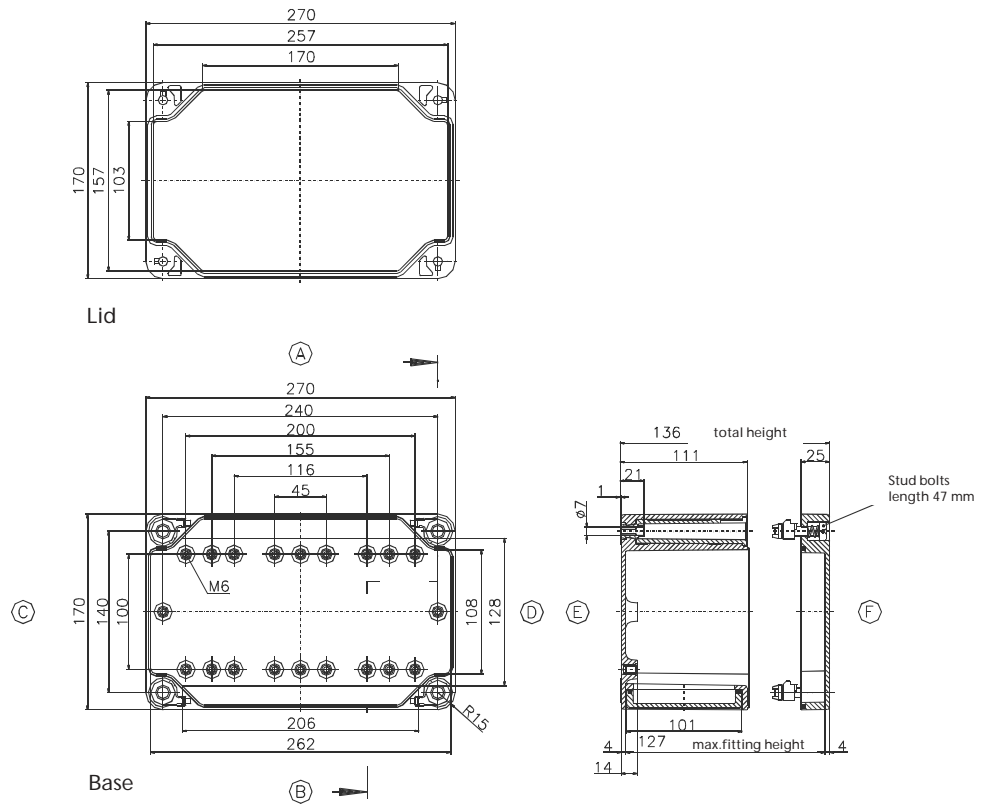
max. number of cable glands acc. to DIN 50262*



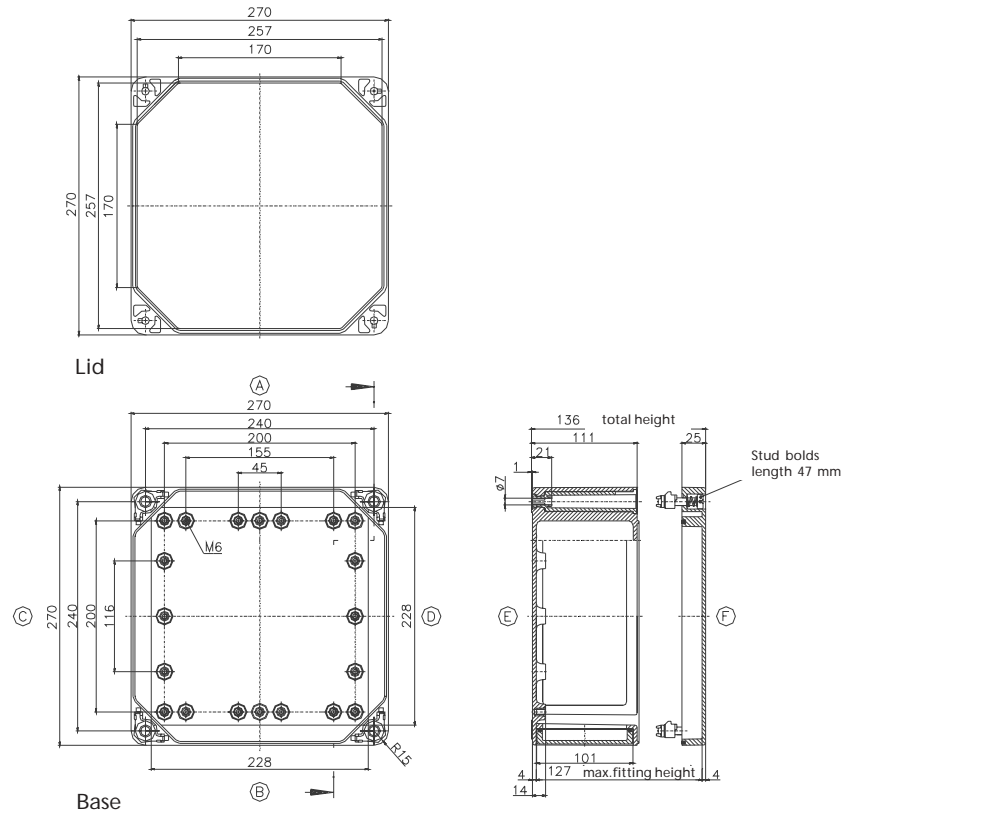
M	Cross-corner dim.	Side		PG	Cross-corner dim.	Side	
		A/B	C/D			A/B	C/D
12	17,25	63	63	7	17,25	63	63
16	25,30	28	28	9	21,85	38	38
20	27,60	22	22	11	25,30	28	28
25	37,95	12	12	13,5	27,60	22	22
32	48,30	8	8	16	31,05	18	18
40	60,95	3	3	21	37,95	11	11
50	69,00	3	3	29	48,30	8	8
63	74,75	2	2	36	60,95	3	3
				42	69,00	3	3
				48	74,75	2	2

Dimensions

Type
 06/16/26.14 01 00



Type
 06/16/26.14 02 00

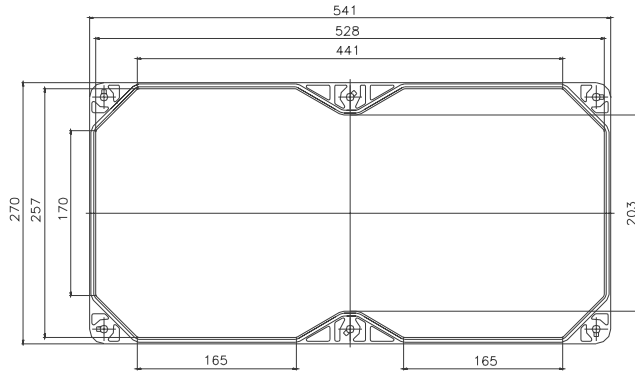


Polyester Flange Ex

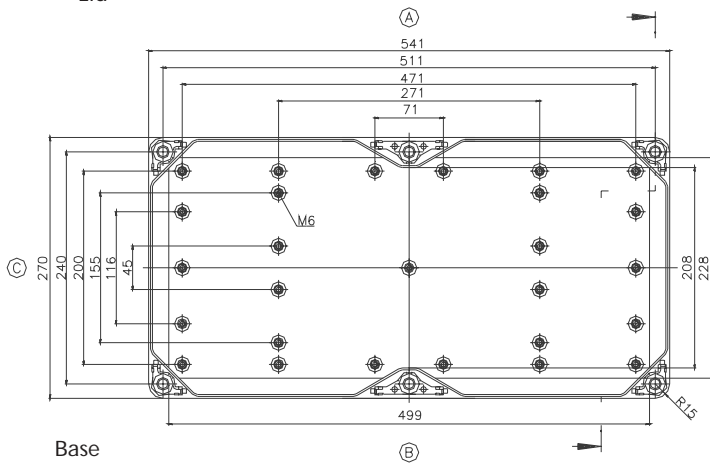
Dimensions

Type

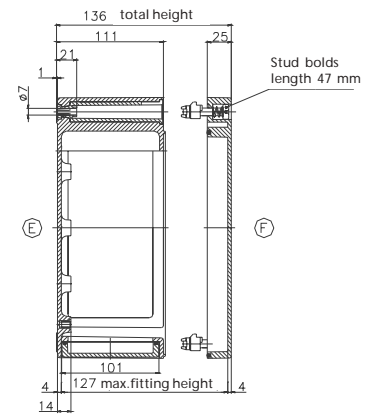
06/16/26.14 03 00



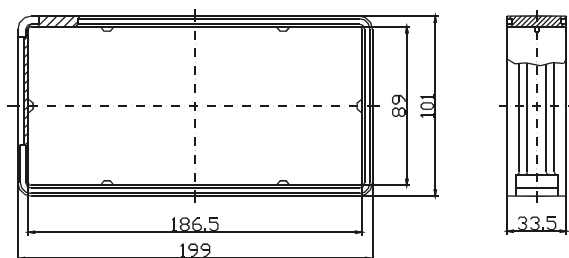
Lid



Base



Connecting flange
incl. fastening wedges
Order No.: **06.14 00 25**
Weight: 190 g



Blind flange
incl. fastening wedges
Order No.: **06.14 00 20**
Weight: 190 g

