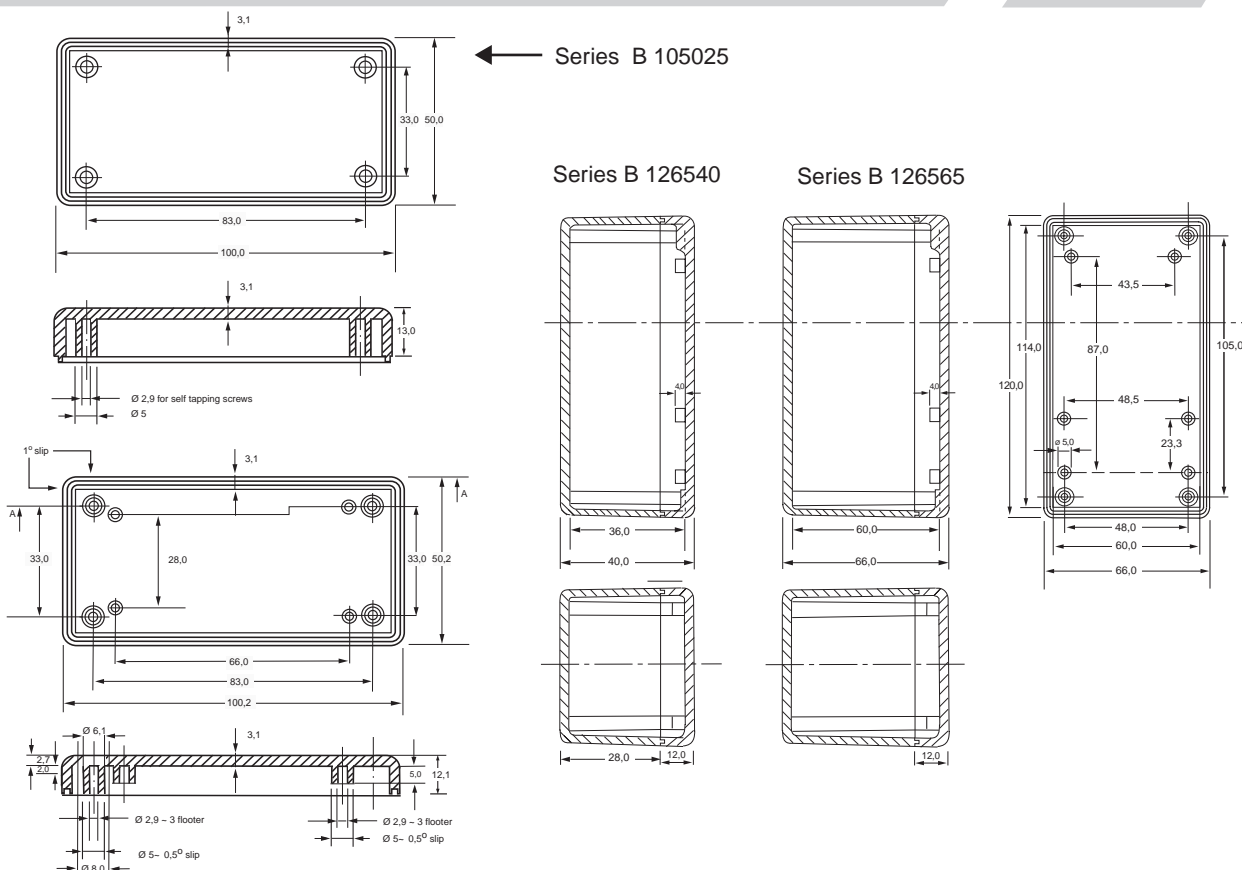


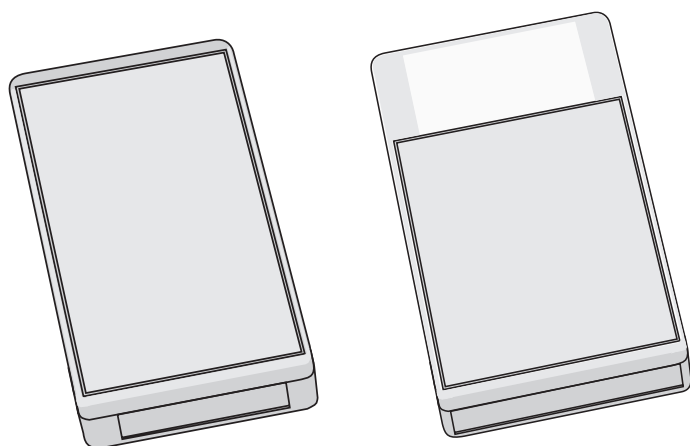
UTILITY BOXES

SERIES 1800



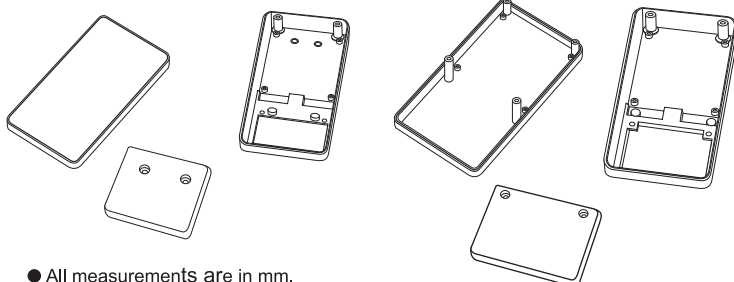
SEALED HANDHELD ENCLOSURES

SERIES 3000



TYPE 3001
Size: 130x68x25

TYPE 3041
Size: 160x85x30



● All measurements are in mm.

TYPE 3001 AND TYPE 3041

This series is designed for remote controllers, measuring devices, hand-held control devices, portable data recorders and other fields of electronics.

Large smooth recessed area for membrane switches or label.

Customization available for display window and switch button hole. Each with battery cover

TECHNICAL DATA:

Top part: ABS
Base part: ABS
Colour: Grey or black
Temperature range: -40 - +75°C
Self-extinguishing: UL94-VO
Sealing: IP65 / (IEC529)

SERIES 3000:	ORDER CODE:
Type 3001, grey, sealed	p/n 4969883001
Type 3001, black, sealed	p/n 4969863001
Type 3041, grey, sealed	p/n 4969883041
Type 3041, black, sealed	p/n 4969863041