



Further international Ex-Approvals on request



Technical Data

Explosion protection:

II 2 G / 2 D

EEx e II T6 (increased safety)

EEx ia IIC T6 (intrinsic safety)

EEx e(ia) IIC T6 (mixed fitting)

Temperature classes T5 and T4 on request

Certificates:

Empty enclosure with hinged lid:

PTB 00 ATEX 1101U

Terminal enclosure: PTB 00 ATEX 1052

Material:

Stainless steel 1.25 mm or 1.5 mm, 1.4301 / 304

Surface:

grinded, grain 240

Ingress protection:

IP 66, EN 60529

Impact resistance:

>7 Joule, EN 50014

Temperature range of application acc. EN:

-20° to +40°C

(corresponds T6 = 85°C surface temperature)

-20° to +55°C

(corresponds T5 = 100°C surface temperature)

-20° to +95°C

(corresponds T4 = 135°C surface temperature)

-55°C with special marking on request

- Empty enclosure with hinged lid with certification for individual fittings
- Stainless steel cabinets fitted with terminals for individual fittings with partial certification
- Stainless steel enclosure with covered hinges and double ward lock
- Optional flange cut out
- Special size on request
- Optional: Lid with window

Included in delivery

Empty enclosure:

Enclosure with hinged lid, double ward lock, silicone/PUR seal and external earth connection

Terminal enclosure:

Depending on version either with hinged lid, double ward lock, silicone/PUR seal, external earth connection, DIN rails, internal earthing connection, terminals, manufacturing, cable glands

Stainless steel IGS-Ex

Programme range

Ex e	Ex ia	empty cabinets	dimensions W x L x H
35.00 22 09	36.00 22 09	34.00 22 09	200 x 250 x 97 mm
35.00 22 15	36.00 22 15	34.00 22 15	200 x 250 x 157 mm
35.00 33 16	36.00 33 16	34.00 33 16	300 x 300 x 167 mm
35.00 32 09	36.00 32 09	34.00 32 09	350 x 250 x 97 mm
35.00 44 16	36.00 44 16	34.00 44 16	380 x 380 x 167 mm
35.00 44 21	36.00 44 21	34.00 44 21	380 x 380 x 217 mm
35.00 53 16	36.00 53 16	34.00 53 16	500 x 300 x 167 mm
35.00 63 16	36.00 63 16	34.00 63 16	600 x 300 x 167 mm
35.00 64 21	36.00 64 21	34.00 64 21	600 x 380 x 217 mm

Accessories

Type	DIN rail* TS35	PE bar	External mounting brackets	Mounting plate
34/35/36.00 22 09	•	•	•	•
34/35/36.00 22 15	•	•	•	•
34/35/36.00 33 16	•	•	•	•
34/35/36.00 32 09	•	•	•	•
34/35/36.00 44 16	•	•	•	•
34/35/36.00 44 21	•	•	•	•
34/35/36.00 53 16	•	•	•	•
34/35/36.00 63 16	•	•	•	•
34/35/36.00 64 21	•	•	•	•

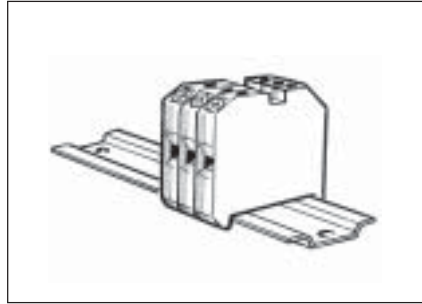
* TS 32 on request

External mounting brackets (set = 4 pcs.)	37.10 50 00
Mounting set (screws, gasket, nuts)	37.99 00 01
External hinge set (2 pcs.)	37.00 00 02

Accessories / Version



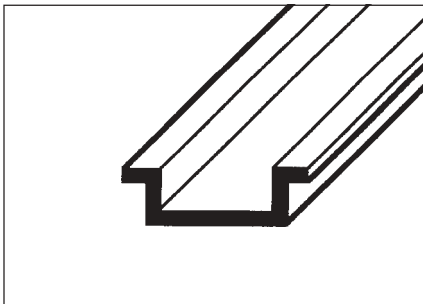
PE bar



PE terminal blocks



External mounting brackets



DIN rail

Stainless steel IGS-Ex

Terminal mounting

Make	Phoenix															Earthing connections																															
DIN rail TS 15				X	X	X																																									
DIN rail TS 32																																															
DIN rail TS 35	X	X	X							X	X	X	X	X	X	X	X	X	X	X	X							X	X	X	X	X	X	X	X	X	X	X	X	X							
Voltage (V)	500	550	750	275	275	420	750	750	750	750	750	750	750	750	726	726																															
Current (A)	17	22	23	21	39	27	30	38	57	72	112	135	210	265	350																																
Nominal cross-section (mm ²)	1,5	2,5	2,5	2,5	6	4	4	6	10	16	35	50	95	150	185																																
Terminal width (mm)	4,2	5,2	5,2	5,2	8,2	6,2	6,2	8,2	10,2	12,2	15,2	20	25	31	36																																
Terminal type																																															
Enclosure type	UK 1,5 N	UK 2,5 N	UK 3 N	MBK 3/E-Z	MBK 6/E	MXK 4	UK 5 N	UK 6 N	UK 10 N	UK 16 N	UK 35	UKH 50	UKH 95	UKH 150	UKH 240													USIKG 1.5 N insulated green/yellow	USIKG 2.5 N insulated green/yellow	USIKG 6 N insulated green/yellow	USIKG 10 N insulated green/yellow	USIKG 16 N insulated green/yellow	USIKG 3 insulated green/yellow	USIKG 5 insulated green/yellow	USIKG 50 insulated green/yellow	USIKG 95 insulated green/yellow	Busbar 1,5 to 6 mm ²										
35/36.00 22 09	70	56	56	56	36	48	48	36	28	24	9																																				
35/36.00 22 15	70	56	56	56	36	48	48	36	28	24	9																																				
35/36.00 32 09	142	114	114	114	72	96	96	72	58	48	38																																				
35/36.00 33 16	118	96	94	94	60	80	80	60	48	40	32	12																																			
35/36.00 44 16	234	189	189	189	120	159	159	120	96	81	42	32	13																																		
35/36.00 44 21	234	189	189	189	120	159	159	120	96	81	42	32	13																																		
35/36.00 53 16	214	172	172	172	108	144	144	108	88	72	58	22	18	14	12																																
35/36.00 63 16	260	210	210	210	132	176	176	134	106	90	72	27	22	17	15																																
35/36.00 64 21	390	315	315	315	198	264	264	201	159	135	72	54	44	17	15																																

Terminal mounting

Make	Weidmüller																	Earthing connections																														
DIN rail TS 15	X	X	X	X																																												
DIN rail TS 32							X	X			X		X		X				X																													
DIN rail TS 35					X	X			X		X		X		X		X		X		X		X		X																							
Voltage (V)	275	175	175	275	420	550	550	550	750	550	550	550	550	750	750	750	550	750	750																													
Current (A)	15	10	15	21	21	21	21	28	28	36	36	50	50	66	66	109	99	167	202																													
Nominal cross-section (mm ²)	1,5	1,5	2,5	4	2,5	2,5	2,5	4	4	6	6	10	10	16	16	35	35	70	95																													
Terminal width (mm)	3,5	5,1	5,1	6,1	5	5	6	6	6	8	8	10	10	12	12	16	18	20,5	27																													
Terminal type																																																
Enclosure type	WDU 1,5 / R 3.5	AKZ 1,5	AKZ 2,5	AKZ 4	WDU 2,5 N / E	WDU 2,5 / E	SAK 2,5 / E	SAK 4 / E	WDU 4 / E	SAK 6N / E	WDU 6 / E	SAK 10 / E	WDU 10 / E	SAK 16 / E	WDU 16 / E	WDU 35 / E	SAK 35 / E	WDU 70 N / E	WDU 70 / 95 / E	WPE 2,5 / E reen/yellow	WPE 4 / E reen/yellow	WPE 6 / E reen/yellow	WPE 10 / E reen/yellow	WPE 16 / E reen/yellow	WPE 35 / E green/yellow	WPE 70 / 95 / E green/yellow																						
35/36.00 22 09	84	58	58	48	58	58	48	48	48	36	36	30	30	24	24	9	8																															
35/36.00 22 15	84	58	58	48	58	58	48	48	48	36	36	30	30	24	24	9	8																															
35/36.00 32 09	170	116	116	98	118	118	98	98	98	74	74	60	60	50	50	36	32																															
35/36.00 33 16	142	96	96	80	98	98	82	82	82	62	62	50	50	40	40	30	26																															
35/36.00 44 16	282	192	192	162	195	195	162	162	162	123	123	99	99	81	81	40	36	16	12																													
35/36.00 44 21	282	192	192	162	195	195	162	162	162	123	123	99	99	81	81	40	36	16	12																													
35/36.00 53 16	256	176	174	146	178	178	148	148	148	112	112	90	90	74	74	56	48	22	16																													
35/36.00 63 16	314	214	214	180	218	218	182	182	182	136	136	110	110	90	90	68	60	26	20																													
35/36.00 64 21	471	321	321	270	327	327	273	273	273	204	204	165	165	135	135	68	60	52	40																													

Type: **E Ex e 35.00 22 09**

E Ex ia 36.00 22 09

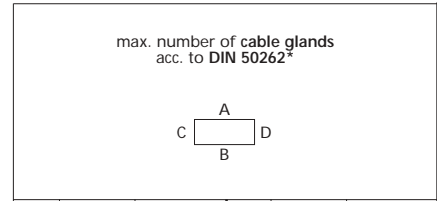
Ex empty enclosure **34.00 22 09**

Certification **ATEX**

External dimensions **200 x 250 x 97 mm**

Weight **2090 g**

DIN rail length in mm	max. fitting length in mm	PE bar max. number	External earth in mm ²	External mounting brackets	Hinge						
TS 35		8 x 6 mm ²									
190	170	1	35 mm ²	•	•						



Diameter of connection (mm ²)	1,5	2,5	4	6	10	16	25	35	50	70	95
max. number of terminals**	70	56	48	36	28	24	9	9			
max. number of DIN rails	2	2	2	2	2	2	1	1			
Number of internal cables in dependence to current/A	6										
	10	37	67								
	16	14	25	41							
	20	6	15	26	44						
	25		7	16	26						
	35			5	12	24					
	50					10	20	64			
	63					3	11	21			
	80						4	11	19		
	100							5	10		
	125								4		
	160										
	200										
	225										
	250										
315											
400											
500											

M	Cross-corner dim.	Side		PG	Cross-corner dim.	Side	
		A/B	C/D			A/B	C/D
12	17,25	38	36	7	17,25	38	36
16	25,30	20	17	9	21,85	24	20
20	27,60	12	8	11	25,30	20	17
25	37,95	5	6	13,5	27,60	12	8
32	48,30	3		16	31,05	10	7
40	60,95	3		21	37,95	5	6
50	69,00			29	48,30	3	
63	74,75			36	60,95	3	
				42	69,00		
				48	74,75		

Number or internal cables/2 = number of terminals
 * not for armoured cables
 ** Base: Terminal block Phoenix Contact, further see page 116

Type: **E Ex e 35.00 22 15**

E Ex ia 36.00 22 15

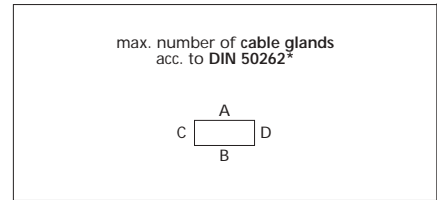
Ex empty enclosure **34.00 22 15**

Certification **ATEX**

External dimensions **200 x 250 x 157 mm**

Weight **2620 g**

DIN rail length in mm	max. fitting length in mm	PE bar max. number	External earth in mm ²	External mounting brackets	Hinge						
TS 35		8 x 6 mm ²									
190	170	1	35 mm ²	•	•						



Diameter of connection (mm ²)	1,5	2,5	4	6	10	16	25	35	50	70	95
max. number of terminals**	70	56	48	36	28	24	9	9			
max. number of DIN rails	2	2	2	2	2	2	1	1			
Number of internal cables in dependence to current/A	6										
	10	47	86								
	16	18	32	53							
	20	7	20	34	57						
	25		9	21	34						
	35			6	16	31					
	50				2	12	25	82			
	63					4	14	28			
	80						5	15	25		
	100							7	13		
	125								6		
	160										
	200										
	225										
	250										
315											
400											
500											

M	Cross-corner dim.	Side		PG	Cross-corner dim.	Side	
		A/B	C/D			A/B	C/D
12	17,25	76	75	7	17,25	76	75
16	25,30	35	36	9	21,85	40	38
20	27,60	30	30	11	25,30	35	36
25	37,95	12	15	13,5	27,60	30	30
32	48,30	8	8	16	31,05	20	22
40	60,95	6	5	21	37,95	12	15
50	69,00	3	3	29	48,30	8	8
63	74,75	3	3	36	60,95	6	5
				42	69,00	3	3
				48	74,75	3	3

Number or internal cables/2 = number of terminals
 * not for armoured cables
 ** Base: Terminal block Phoenix Contact, further see page 116

Type: **E Ex e 35.00 32 09**

E Ex ia 36.00 32 09

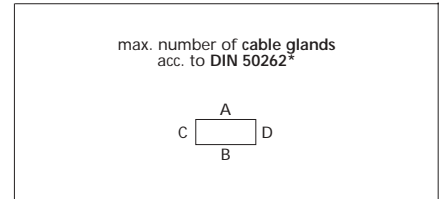
Ex empty enclosure **34.00 32 09**

Certification **ATEX**

External dimensions **350 x 250 x 97 mm**

Weight **3150 g**

DIN rail length in mm	max. fitting length in mm	PE bar max. number	External earth in mm ²	External mounting brackets	Hinge						
TS 35		16 x 6 mm ²									
340	320	1	70 mm ²	•	•						



Diameter of connection (mm ²)	1,5	2,5	4	6	10	16	25	35	50	70	95
max. number of terminals**	142	114	96	72	58	48	38	38			
max. number of DIN rails	2	2	2	2	2	2	2	2			
Number of internal cables in dependence to current/A	6										
	10	42	77								
	16	16	29	48							
	20	7	18	30	51						
	25		8	19	31						
	35			6	14	27					
	50				2	11	23	74			
	63					4	13	25			
	80						5	13	22		
	100							6	12		
	125								5		
	160										
	200										
	225										
	250										
	315										
400											
500											

M	Cross-corner dim.	Side		PG	Cross-corner dim.	Side	
		A/B	C/D			A/B	C/D
12	17,25	74	36	7	17,25	74	36
16	25,30	24	17	9	21,85	45	20
20	27,60	24	8	11	25,30	24	17
25	37,95	11	6	13,5	27,60	24	8
32	48,30	7		16	31,05	20	7
40	60,95	5		21	37,95	11	6
50	69,00			29	48,30	7	
63	74,75			36	60,95	5	
				42	69,00		
				48	74,75		

Number of internal cables/2 = number of terminals
 * not for armoured cables
 ** Base: Terminal block Phoenix Contact, further see page 116

Type: **E Ex e 35.00 33 16**

E Ex ia 36.00 33 16

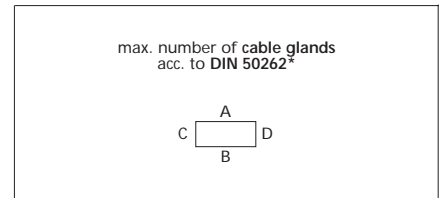
Ex empty enclosure **34.00 33 16**

Certification **ATEX**

External dimensions **300 x 300 x 167 mm**

Weight **4020 g**

DIN rail length in mm	max. fitting length in mm	PE bar max. number	External earth in mm ²	External mounting brackets	Hinge						
TS 35		13 x 6 mm ²									
290	270	1	50 mm ²	•	•						



Diameter of connection (mm ²)	1,5	2,5	4	6	10	16	25	35	50	70	95
max. number of terminals**	118	94	80	60	48	40	32	32	12		
max. number of DIN rails	2	2	2	2	2	2	2	2	1		
Number of internal cables in dependence to current/A	6										
	10	55	100								
	16	21	38	62							
	20	9	23	39	67						
	25		11	24	40						
	35			7	18	36					
	50				2	15	30	96			
	63					5	16	32			
	80						6	17	29		
	100							8	16	29	
	125								7	15	
	160									6	
	200										
	225										
	250										
	315										
400											
500											

M	Cross-corner dim.	Side		PG	Cross-corner dim.	Side	
		A/B	C/D			A/B	C/D
12	17,25	110	88	7	17,25	110	88
16	25,30	55	52	9	21,85	72	60
20	27,60	48	38	11	25,30	55	52
25	37,95	23	21	13,5	27,60	48	38
32	48,30	15	11	16	31,05	33	26
40	60,95	8	8	21	37,95	23	21
50	69,00	7	5	29	48,30	15	11
63	74,75	5	4	36	60,95	8	8
				42	69,00	7	5
				48	74,75	5	4

Number of internal cables/2 = number of terminals
 * not for armoured cables
 ** Base: Terminal block Phoenix Contact, further see page 116

Type: **E Ex e 35.00 44 16**

E Ex ia 36.00 44 16

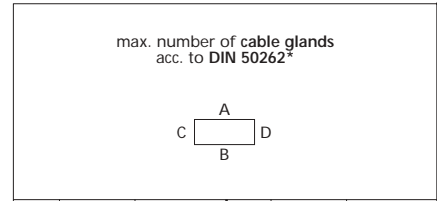
Ex empty enclosure **34.00 44 16**

Certification **ATEX**

External dimensions **380 x 380 x 167 mm**

Weight **5650 g**

DIN rail length in mm	max. fitting length in mm	PE bar max. number	External earth in mm ²	External mounting brackets	Hinge						
TS 35		36 x 6 mm ²									
370	350	2	70 mm ²	•	•						



Diameter of connection (mm ²)	1,5	2,5	4	6	10	16	25	35	50	70	95		
	max. number of terminals**	234	189	159	120	96	81	42	42	32	13	13	
max. number of DIN rails	3	3	3	3	3	3	2	2	2	1	1		
Number of internal cables in dependence to current/A	6												
	10	62	113										
	16	24	43	71									
	20	10	26	45	75								
	25		13	28	45								
	35			8	21	41							
	50				3	16	34	109					
	63					6	19	36					
	80						7	19	33				
	100							9	18	33			
	125								8	17	32		
	160									7	15	26	
	200										6	13	
	225											2	8
	250												4

M	Cross-corner dim.	Side		PG	Cross-corner dim.	Side	
		A/B	C/D			A/B	C/D
12	17,25	160	140	7	17,25	160	140
16	25,30	70	56	9	21,85	96	80
20	27,60	60	48	11	25,30	70	56
25	37,95	27	27	13,5	27,60	60	48
32	48,30	21	14	16	31,05	44	44
40	60,95	12	10	21	37,95	27	27
50	69,00	9	6	29	48,30	21	14
63	74,75	7	5	36	60,95	12	10
				42	69,00	9	6
				48	74,75	7	5

Number or internal cables/2 = number of terminals
 * not for armoured cables
 ** Base: Terminal block Phoenix Contact, further see page 116

Type: **E Ex e 35.00 44 21**

E Ex ia 36.00 44 21

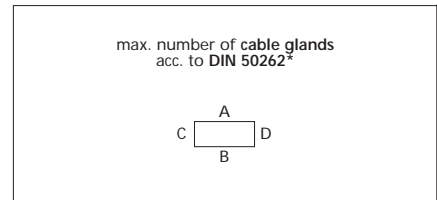
Ex empty enclosure **34.00 44 21**

Certification **ATEX**

External dimensions **380 x 380 x 217 mm**

Weight **6400 g**

DIN rail length in mm	max. fitting length in mm	PE bar max. number	External earth in mm ²	External mounting brackets	Hinge						
TS 35		36 x 6 mm ²									
370	350	2	70 mm ²	•	•						



Diameter of connection (mm ²)	1,5	2,5	4	6	10	16	25	35	50	70	95		
	max. number of terminals**	234	189	159	120	96	81	42	42	32	13	13	
max. number of DIN rails	3	3	3	3	3	3	2	2	2	1	1		
Number of internal cables in dependence to current/A	6												
	10	72	131										
	16	28	49	82									
	20	12	30	52	87								
	25		15	32	52								
	35			10	24	47							
	50				3	19	39	126					
	63					7	22	42					
	80						9	23	38				
	100							10	21	38			
	125								9	20	37		
	160									8	17	31	
	200										7	15	
	225											2	9
	250												5

M	Cross-corner dim.	Side		PG	Cross-corner dim.	Side	
		A/B	C/D			A/B	C/D
12	17,25	220	200	7	17,25	220	200
16	25,30	98	84	9	21,85	144	128
20	27,60	84	72	11	25,30	98	84
25	37,95	45	36	13,5	27,60	84	72
32	48,30	28	21	16	31,05	66	55
40	60,95	18	14	21	37,95	45	36
50	69,00	12	9	29	48,30	28	21
63	74,75	9	8	36	60,95	18	14
				42	69,00	12	9
				48	74,75	9	8

Number or internal cables/2 = number of terminals
 * not for armoured cables
 ** Base: Terminal block Phoenix Contact, further see page 116

Certification **ATEX**

External dimensions **500 x 300 x 167 mm**

Weight **5900 g**

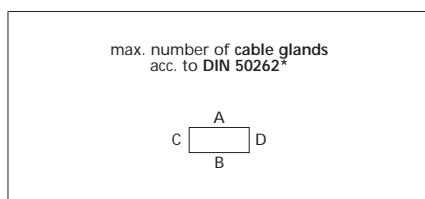
DIN rail length in mm	max. fitting length in mm	PE bar max. number	External earth in mm ²	External mounting brackets	Hinge									
TS 35		24 x 6 mm ²												
490	470	1	240 mm ²	•	•									

Diameter of connection (mm ²)	1,5	2,5	4	6	10	16	25	35	50	70	95	120	150	185	240
max. number of terminals**	214	172	144	108	88	72	58	58	22	18	18	14	14	12	12
max. number of DIN rails	2	2	2	2	2	2	2	2	1	1	1	1	1	1	1
Number of internal cables in dependence to current/A	6														
	10	60	109												
	16	23	41	68											
	20	10	25	43	72										
	25		12	27	43										
	35			8	20	39									
	50				3	16	32	105							
	63					5	18	35							
	80						7	19	32						
	100							9	17	32					
	125								7	17	31				
	160									6	14	25	65		
	200										6	12	20	35	
	225										2	7	14	21	43
	250											4	9	15	24
	315												2	6	10
400														2	
500															

Number of internal cables/2 = number of terminals

* not for armoured cables

** Base: Terminal block Phoenix Contact, further see page 116



M	Cross-corner dim.	Side		PG	Cross-corner dim.	Side	
		A/B	C/D			A/B	C/D
12	17,25	216	88	7	17,25	216	88
16	25,30	92	52	9	21,85	147	60
20	27,60	85	38	11	25,30	92	52
25	37,95	36	21	13,5	27,60	85	38
32	48,30	26	11	16	31,05	60	26
40	60,95	14	8	21	37,95	36	21
50	69,00	12	5	29	48,30	26	11
63	74,75	9	4	36	60,95	14	8
				42	69,00	12	5
				48	74,75	9	4

Certification **ATEX**

External dimensions **600 x 300 x 167 mm**

Weight **8180 g**

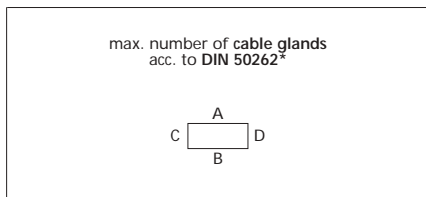
DIN rail length in mm	max. fitting length in mm	PE bar max. number	External earth in mm ²	External mounting brackets	Hinge									
TS 35		29 x 6 mm ²												
590	570	1	240 mm ²	•	•									

Diameter of connection (mm ²)	1,5	2,5	4	6	10	16	25	35	50	70	95	120	150	185	240	
max. number of terminals**	260	210	176	132	106	90	72	72	27	22	22	17	17	15	15	
max. number of DIN rails	2	2	2	2	2	2	2	2	1	1	1	1	1	1	1	
Number of internal cables in dependence to current/A	6															
	10	62	112													
	16	24	42	70												
	20	10	26	44	75											
	25		13	27	45											
	35			8	21	40										
	50				3	16	33	108								
	63					6	18	36								
	80						7	19	33							
	100							9	18	33						
	125								8	17	32					
	160									7	15	26	67			
	200										6	12	21	36		
	225											2	8	14	22	45
	250												4	10	15	25
	315													2	6	11
400															2	7
500																

Number of internal cables/2 = number of terminals

* not for armoured cables

** Base: Terminal block Phoenix Contact, further see page 116



M	Cross-corner dim.	Side		PG	Cross-corner dim.	Side	
		A/B	C/D			A/B	C/D
12	17,25	231	88	7	17,25	231	88
16	25,30	115	52	9	21,85	156	60
20	27,60	100	38	11	25,30	115	52
25	37,95	45	21	13,5	27,60	100	38
32	48,30	33	11	16	31,05	72	26
40	60,95	17	8	21	37,95	45	21
50	69,00	16	5	29	48,30	33	11
63	74,75	11	4	36	60,95	17	8
				42	69,00	16	5
				48	74,75	11	4

Certification **ATEX**

External dimensions **600 x 380 x 217 mm**

Weight **10800 g**

DIN rail length in mm	max. fitting length in mm	PE bar max. number	External earth in mm ²	External mounting brackets	Hinge										
TS 35		58 x 6 mm ²													
590	570	2	240 mm ²	•	•										

Diameter of connection (mm ²)	1,5	2,5	4	6	10	16	25	35	50	70	95	120	150	185	240
max. number of terminals**	390	315	264	198	159	135	72	72	54	44	44	17	17	15	15
max. number of DIN rails	3	3	3	3	3	3	2	2	2	2	2	1	1	1	1
Number of internal cables in dependence to current/A	6														
	10	78	142												
	16	30	53	88											
	20	12	33	56	94										
	25		16	35	56										
	35			11	26	51									
	50				4	21	42	136							
	63					7	23	46							
	80						9	24	42						
	100							11	22	41					
	125								10	22	40				
	160									8	19	33	84		
	200										7	16	26	46	
	225										3	10	18	28	56
	250											5	12	19	31
	315												3	7	13
400														3	10
500															

Number of internal cables/2 = number of terminals

* not for armoured cables

** Base: Terminal block Phoenix Contact, further see page 116

max. number of cable glands acc. to DIN 50262*

A rectangular cross-section with dimensions: A (width), B (height), C (left side), and D (right side).

M	Cross-corner dim.	Side		PG	Cross-corner dim.	Side	
		A/B	C/D			A/B	C/D
12	17,25	330	200	7	17,25	330	200
16	25,30	176	84	9	21,85	208	128
20	27,60	140	72	11	25,30	176	84
25	37,95	75	36	13,5	27,60	140	72
32	48,30	44	21	16	31,05	108	55
40	60,95	27	14	21	37,95	75	36
50	69,00	20	9	29	48,30	44	21
63	74,75	15	8	36	60,95	27	14
				42	69,00	20	9
				48	74,75	15	8

Dimensions

Type	Ex e	Ex ia	empty enclosure	Dimensions (mm)								height	
				length				width				H_U	H_{Ges}
				A	B	C	E	F	I	G	S		
35.00 22 09	36.00 22 09	34.00 22 09		200	250	160	181	210	170	25	1,25	75	97
35.00 22 15	36.00 22 15	34.00 22 15		500	250	460	481	210	170	25	1,25	75	157
35.00 32 09	36.00 32 09	34.00 32 09		350	250	310	331	210	170	25	1,25	75	97
35.00 33 16	36.00 33 16	34.00 33 16		300	300	260	281	260	220	25	1,25	145	167
35.00 44 16	36.00 44 16	34.00 44 16		380	380	340	361	340	300	25	1,25	145	167
35.00 44 21	36.00 44 21	34.00 44 21		380	380	340	361	340	300	25	1,25	195	217
35.00 53 16	36.00 53 16	34.00 53 16		500	300	460	481	260	220	25	1,25	145	167
35.00 63 16	36.00 63 16	34.00 63 16		600	300	560	580	260	220	25	1,5	145	167
35.00 64 21	36.00 64 21	34.00 64 21		600	380	560	580	340	300	25	1,5	195	217

