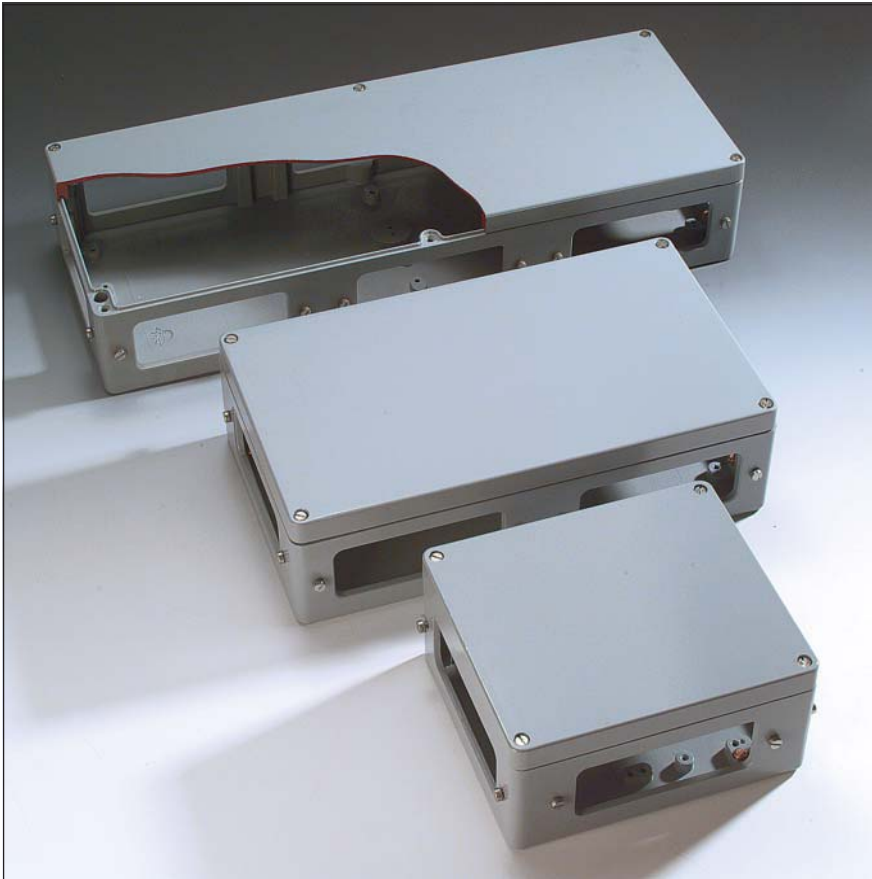




UL 50



- Robust aluminium distribution enclosure with 4, 6 or 8 flange openings
- Prepared for the installation of DIN rails

Technical data

Material:

DIN EN 1706 EN AC-AISI 12 (Fe)

Painting:

powder coating

Colour:

RAL 7001, silver grey

special colour on request

Ingress protection:

IP 65 acc. to EN 60529

Impact resistance:

>7 Joule, EN 50014

Temperature range:

PUR (polyurethane) seal (std.): -40°C to +90°C

CR (chloroprene) seal: -40°C to +100°C

VMQ (silicone) seal (optional): -60°C to +130°C

Included in delivery

Aluminium enclosures consisting of lid, seal, incl. captive +/- stainless steel screws, base with 2 or 4 earthing screws.

Flange plates are not included in the scope of delivery, they have to be ordered separately.

Accessories



Blind flange
undrilled with round seal

Order No. **10.00 60 01**



Flange with drill holes
(PG and metric) on request



Flange with cut-out for heavy industrial connectors

| Order No. | cut-out for |
|--------------------|-----------------------|
| 10.00 60 06 | HAN 6B or compatible |
| 10.00 60 16 | HAN 16B or compatible |
| 10.00 60 24 | HAN 24B or compatible |

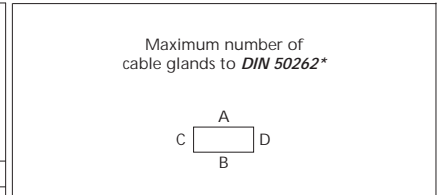
For further accessories please refer to the Aluminium-Standard range

Type: **11.23 20 11**

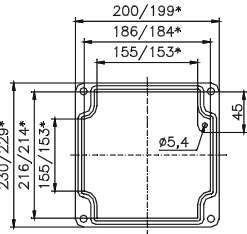
External dimensions: **230 x 200 x 110 mm**

Weight: **2490 g**

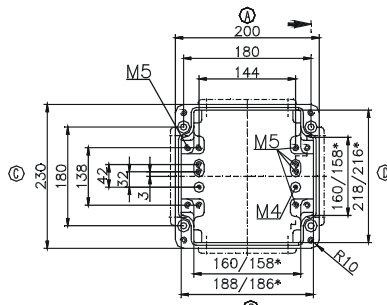
| | | | | | | | | | | | | | |
|-----------------------|---------------------------|---------------------|----------------------------------|----------------------------|---------------------|-------------|---------------------|---------------------------|------------------|-------------------|------------------------------|-------------------------------|------------|
| DIN rail length in mm | max. fitting length in mm | Earthing rail clamp | Mounting plate (thickness in mm) | External mounting brackets | External hinge* set | EMC version | Internal hinge* set | SWB / SBGL Cor.protection | Allen lid screws | Silicone lid seal | Sealable lid screws in steel | Turn bolt fastener on request | Quick lock |
| TS 35 | 135 | 10 | | • | | | | • | • | • | • | | |



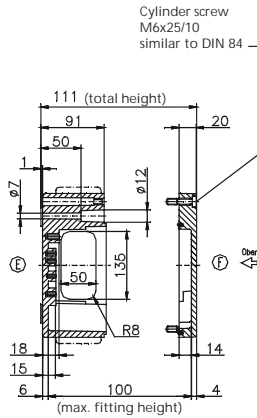
Lid



* = Conical form tapering downwards
Free dimensions-tolerance to GTA 14/5 DIN 1688



Base



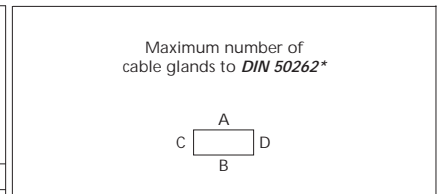
| M | Corner dim. | Side | | PG | Corner dim. | Side | |
|----|-------------|------|----|------|-------------|------|----|
| | | A | C | | | A | C |
| 12 | 17.25 | 147 | 95 | 7 | 17.25 | 147 | 95 |
| 16 | 25.30 | 70 | 43 | 9 | 21.85 | 96 | 55 |
| 20 | 27.60 | 55 | 32 | 11 | 25.30 | 70 | 40 |
| 25 | 37.95 | 28 | 18 | 13.5 | 27.60 | 55 | 32 |
| 32 | 48.30 | 17 | 10 | 16 | 31.05 | 44 | 28 |
| 40 | 60.95 | 12 | 7 | 21 | 37.95 | 27 | 18 |
| 50 | 69.00 | 7 | 4 | 29 | 48.30 | 17 | 10 |
| 63 | 74.75 | 6 | 3 | 36 | 60.95 | 12 | 7 |
| | | | | 42 | 69.00 | 7 | 4 |
| | | | | 48 | 74.75 | 6 | 3 |

Type: **11.23 28 11**

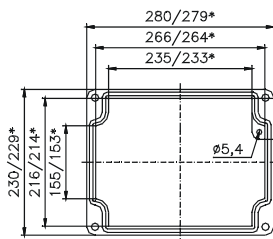
External dimensions: **230 x 280 x 110 mm**

Weight: **3380 g**

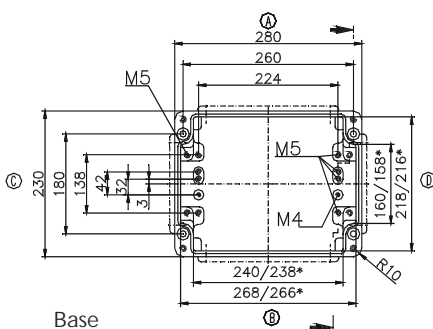
| | | | | | | | | | | | | | |
|-----------------------|---------------------------|---------------------|----------------------------------|----------------------------|---------------------|-------------|---------------------|---------------------------|------------------|-------------------|------------------------------|-------------------------------|------------|
| DIN rail length in mm | max. fitting length in mm | Earthing rail clamp | Mounting plate (thickness in mm) | External mounting brackets | External hinge* set | EMC version | Internal hinge* set | SWB / SBGL Cor.protection | Allen lid screws | Silicone lid seal | Sealable lid screws in steel | Turn bolt fastener on request | Quick lock |
| TS 35 | 215 | 16 | | • | | | | • | • | • | • | | |



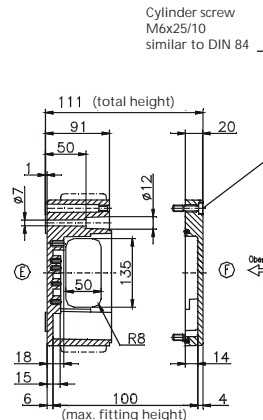
Lid



* = Conical form tapering downwards
Free dimensions-tolerance to GTA 13/5 DIN 1688



Base



| M | Corner dim. | Side | | PG | Corner dim. | Side | |
|----|-------------|------|-----|------|-------------|------|-----|
| | | A | C | | | A | C |
| 12 | 17.25 | 205 | 122 | 7 | 17.25 | 205 | 122 |
| 16 | 25.30 | 98 | 54 | 9 | 21.85 | 128 | 77 |
| 20 | 27.60 | 78 | 51 | 11 | 25.30 | 98 | 54 |
| 25 | 37.95 | 40 | 24 | 13.5 | 27.60 | 75 | 48 |
| 32 | 48.30 | 22 | 15 | 16 | 31.05 | 60 | 38 |
| 40 | 60.95 | 15 | 4 | 21 | 37.95 | 38 | 24 |
| 50 | 69.00 | 11 | 6 | 29 | 48.30 | 22 | 15 |
| 63 | 74.75 | 8 | 6 | 36 | 60.95 | 14 | 8 |
| | | | | 42 | 69.00 | 10 | 6 |
| | | | | 48 | 74.75 | 10 | 6 |

* Please quote mounting side

Type: **11.23 40 11**

External dimensions: **230 x 400 x 110 mm**

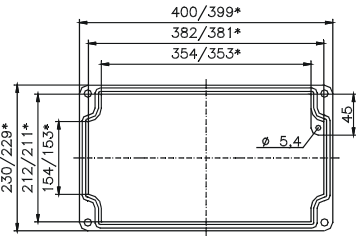
Weight: **4300 g**

| | | | | | | | | | | | | | |
|-----------------------|---------------------------|---------------------|----------------------------------|----------------------------|---------------------|-------------|---------------------|----------------------------------|------------------|-------------------|------------------------------|-------------------------------|------------|
| DIN rail length in mm | max. fitting length in mm | Earthing rail clamp | Mounting plate (thickness in mm) | External mounting brackets | External hinge* set | EMC version | Internal hinge* set | SWB / SBG / SBGL Corr.protection | Allen lid screws | Silicone lid seal | Sealable lid screws in steel | Turn bolt fastener on request | Quick lock |
| TS 35 | 335 | 25 | | • | | | | • | • | • | • | | |
| 358 | 335 | 25 | | • | | | | • | • | • | • | | |

Maximum number of cable glands to *DIN 50262**

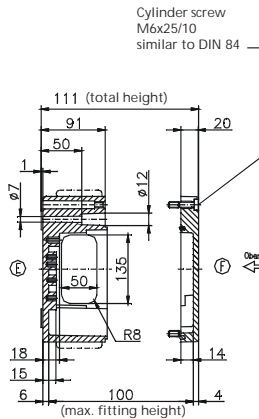
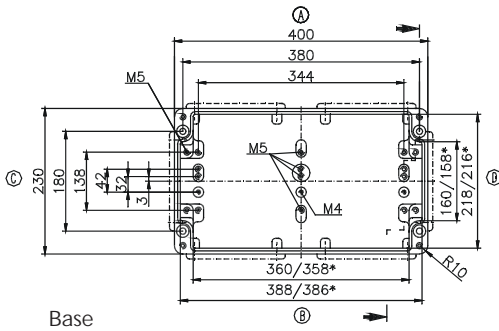
| M | Corner dim. | Side | | PG | Corner dim. | Side | | |
|----|-------------|------|-----|------|-------------|-------|-----|---|
| | | A/B | C/D | | | A/B | C/D | |
| 12 | 17.25 | 246 | 162 | 7 | 17.25 | 246 | 162 | |
| 16 | 25.30 | 126 | 72 | 9 | 21.85 | 160 | 99 | |
| 20 | 27.60 | 100 | 68 | 11 | 25.30 | 112 | 72 | |
| 25 | 37.95 | 54 | 33 | 13.5 | 27.60 | 100 | 64 | |
| 32 | 48.30 | 30 | 20 | 16 | 31.05 | 77 | 53 | |
| 40 | 60.95 | 18 | 12 | 21 | 37.95 | 54 | 33 | |
| 50 | 69.00 | 15 | 9 | 29 | 48.30 | 30 | 20 | |
| 63 | 74.75 | 12 | 8 | 36 | 60.95 | 18 | 12 | |
| | | | | | 42 | 69.00 | 15 | 9 |
| | | | | | 48 | 74.75 | 14 | 8 |

Lid



* = Conical form tapering downwards
Free dimensions-tolerance to GTA 13/5 DIN 1688

Base



Type: **11.23 60 11**

External dimensions: **230 x 600 x 110 mm**

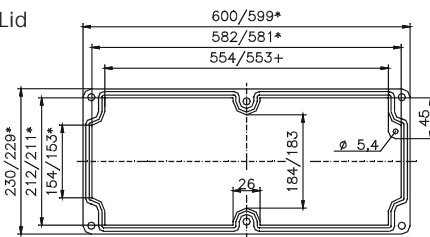
Weight: **6100 g**

| | | | | | | | | | | | | | |
|-----------------------|---------------------------|---------------------|----------------------------------|----------------------------|---------------------|-------------|---------------------|----------------------------------|------------------|-------------------|------------------------------|-------------------------------|------------|
| DIN rail length in mm | max. fitting length in mm | Earthing rail clamp | Mounting plate (thickness in mm) | External mounting brackets | External hinge* set | EMC version | Internal hinge* set | SWB / SBG / SBGL Corr.protection | Allen lid screws | Silicone lid seal | Sealable lid screws in steel | Turn bolt fastener on request | Quick lock |
| TS 35 | 535 | 40 | | • | | | | • | • | • | • | | |
| 558 | 535 | 40 | | • | | | | • | • | • | • | | |

Maximum number of cable glands to *DIN 50262**

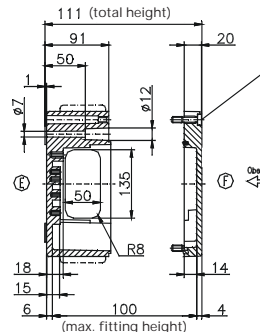
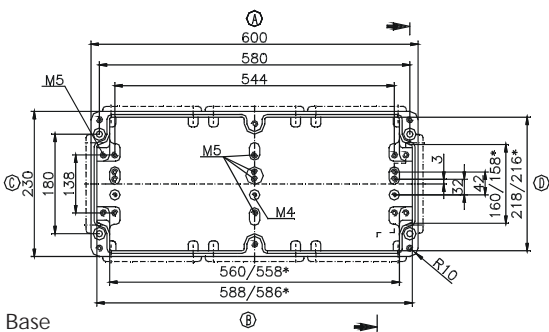
| M | Corner dim. | Side | | PG | Corner dim. | Side | | |
|----|-------------|------|-----|------|-------------|-------|-----|---|
| | | A/B | C/D | | | A/B | C/D | |
| 12 | 17.25 | 150 | 68 | 7 | 17.25 | 150 | 68 | |
| 16 | 25.30 | 76 | 28 | 9 | 21.85 | 96 | 42 | |
| 20 | 27.60 | 60 | 24 | 11 | 25.30 | 72 | 27 | |
| 25 | 37.95 | 30 | 12 | 13.5 | 27.60 | 60 | 24 | |
| 32 | 48.30 | 20 | 7 | 16 | 31.05 | 48 | 18 | |
| 40 | 60.95 | 10 | 4 | 21 | 37.95 | 28 | 12 | |
| 50 | 69.00 | 8 | 3 | 29 | 48.30 | 20 | 6 | |
| 63 | 74.75 | 6 | 3 | 36 | 60.95 | 10 | 4 | |
| | | | | | 42 | 69.00 | 8 | 3 |
| | | | | | 48 | 74.75 | 6 | 3 |

Lid



* = Conical form tapering downwards
Free dimensions-tolerance to GTA 13/5 DIN 1688

Base



* Please quote mounting side