

TECHNICAL DATA SHEET  
**Ref. 500001**  
 UNIPOLAR TERMOPLASTIC  
 BATTERY MASTER SWITCH  
 24VDC / 75A



**GENERAL CHARACTERISTICS**

Protection degree: IP67  
 Ambient temperature: -40°C to +85°C  
 Weight: 0.152 Kg approx.  
 Contacts: Copper  
 Connections: not polarized

**FIELDS OF APPLICATION**

Nautical, handling vehicles, industrial vehicles, agriculture machinery, industry...

**POWER CIRCUIT**

Connection: M10 terminals  
 Tightening torque: 1.2 +/- 0.1 daN·m  
 Type: D1 normally open  
 Nominal current: 75 A  
 Nominal voltage: 24 VDC  
 Max. capacity: 200 A during 5 seconds

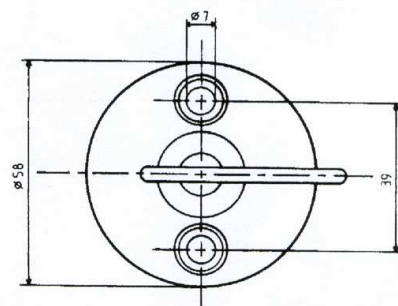
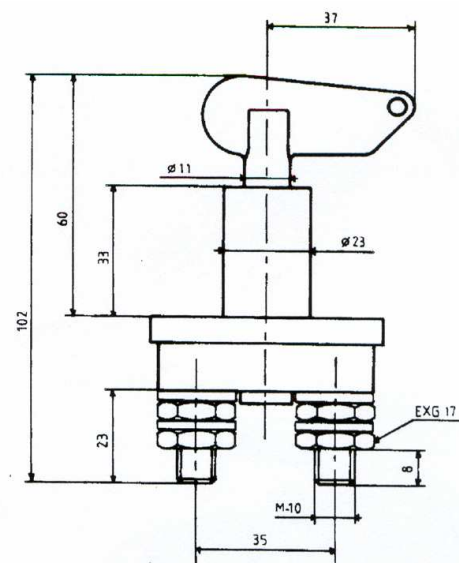
**PARTICULAR CHARACTERISTICS:**

Marine  
 Removable handle in open position

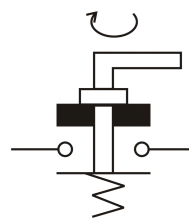
**SPARE PARTS**

Plastic Handle	500032
Chain	520009

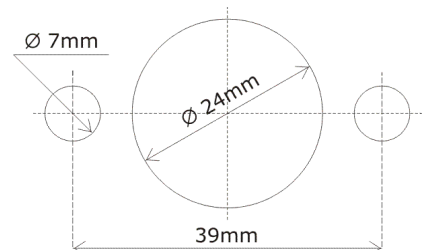
**Size diagrams**



**Connection diagram**



**Fixing diagram**



P.I. EL RAÍQUER, C/ EL RAÍQUER, s/N, NAVE Nº21-22  
 08170 MONTORNÈS DEL VALLÈS  
 BARCELONA (SPAIN)  
 Tel. : + 34.93.544.44.80 - Fax : + 34.93.544.44.90  
[WWW.CORMAR.ES](http://WWW.CORMAR.ES) - [info@cormar.es](mailto:info@cormar.es)