

TECHNICAL DATA SHEET

Ref. 500027

Unipolar battery

MASTER SWITCH

24VDC / 80A



GENERAL CHARACTERISTICS

Protection degree: ZB200h anticorrosion

Ambient temperature: -40°C to +85°C

Weight: 0.108 Kg approx.

Contacts: Brass

Connections: not polarized

FIELDS OF APPLICATION

Handling vehicles, industrial vehicles,
agriculture machinery, industry...

POWER CIRCUIT

Connection: M10 terminals

Tightening torque: 1.2 +/- 0.1 daN·m

Type: unipolar normally open

Nominal current: 80 A

Nominal voltage: 24 VDC

Max. capacity: 250 A during 5 seconds

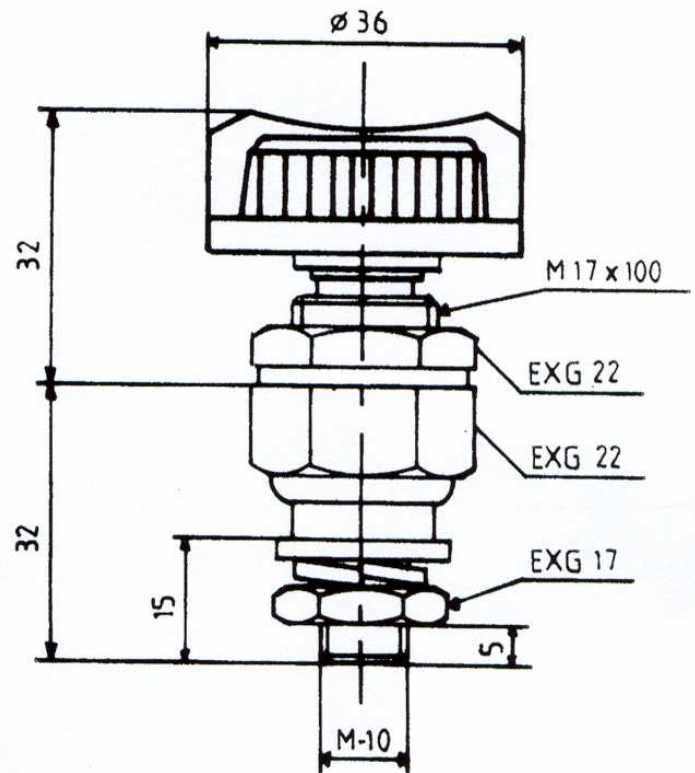
PARTICULAR CHARACTERISTICS:

Screw control

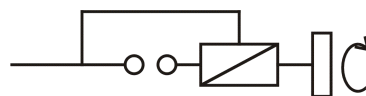
SPARE PARTS

Black screw 520026

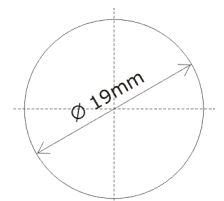
Size diagrams



Connection diagram



Fixing diagram



P.I. El Raiquer, C/ El Raiquer, s/n, NAVE N°21-22

08170 MONTORNÈS DEL VALLÈS

BARCELONA (SPAIN)

Tel. : + 34.93.544.44.80 - Fax : + 34.93.544.44.90

WWW.CORMAR.ES - info@cormar.es