

TECHNICAL DATA SHEET

Ref. 500016

UNIPOLAR BATTERY

MASTER SWITCH

24VDC / 450A



GENERAL CHARACTERISTICS

Protection degree: IP67
Ambient temperature: -40°C to +85°C
Weight: 0.797 Kg approx.
Contacts: Copper
Connections: not polarized

FIELDS OF APPLICATION

Trucks, handling vehicles, industrial vehicles,
agriculture machinery, industry...

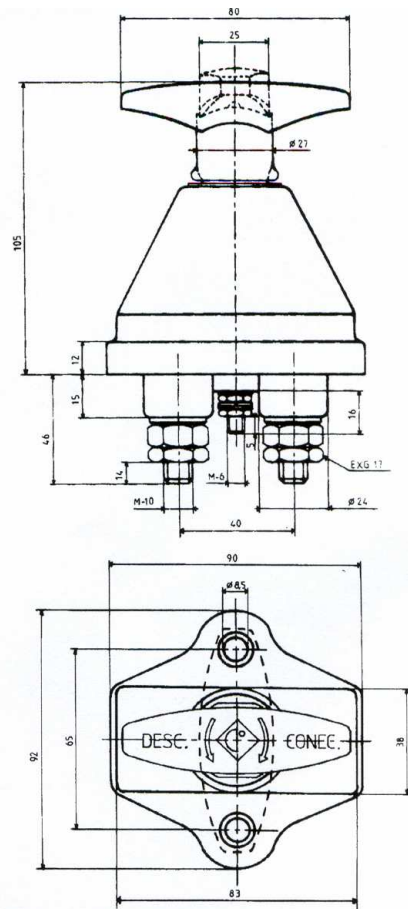
POWER CIRCUIT

Connection: M10 terminals / Aux: M6
Tightening torque: 1.5 +/- 0.1 daN·m
Type: D2d normally open
Nominal current: 450 A
Nominal voltage: 24 VDC
Max. capacity: 4500 A during 5 seconds

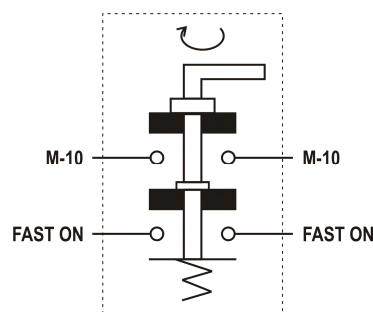
PARTICULAR CHARACTERISTICS:

Fixed Handle
Auxiliary circuit for alternator
with incorporated controller unit

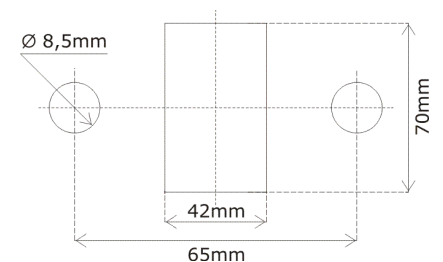
Size diagrams



Connection diagram



Fixing diagram



P.I. El Raiquer, C/ El Raiquer, s/n, NAVE N°21-22
08170 MONTORNÈS DEL VALLÈS
BARCELONA (SPAIN)

Tel. : + 34.93.544.44.80 - Fax : + 34.93.544.44.90

WWW.CORMAR.ES - info@cormar.es